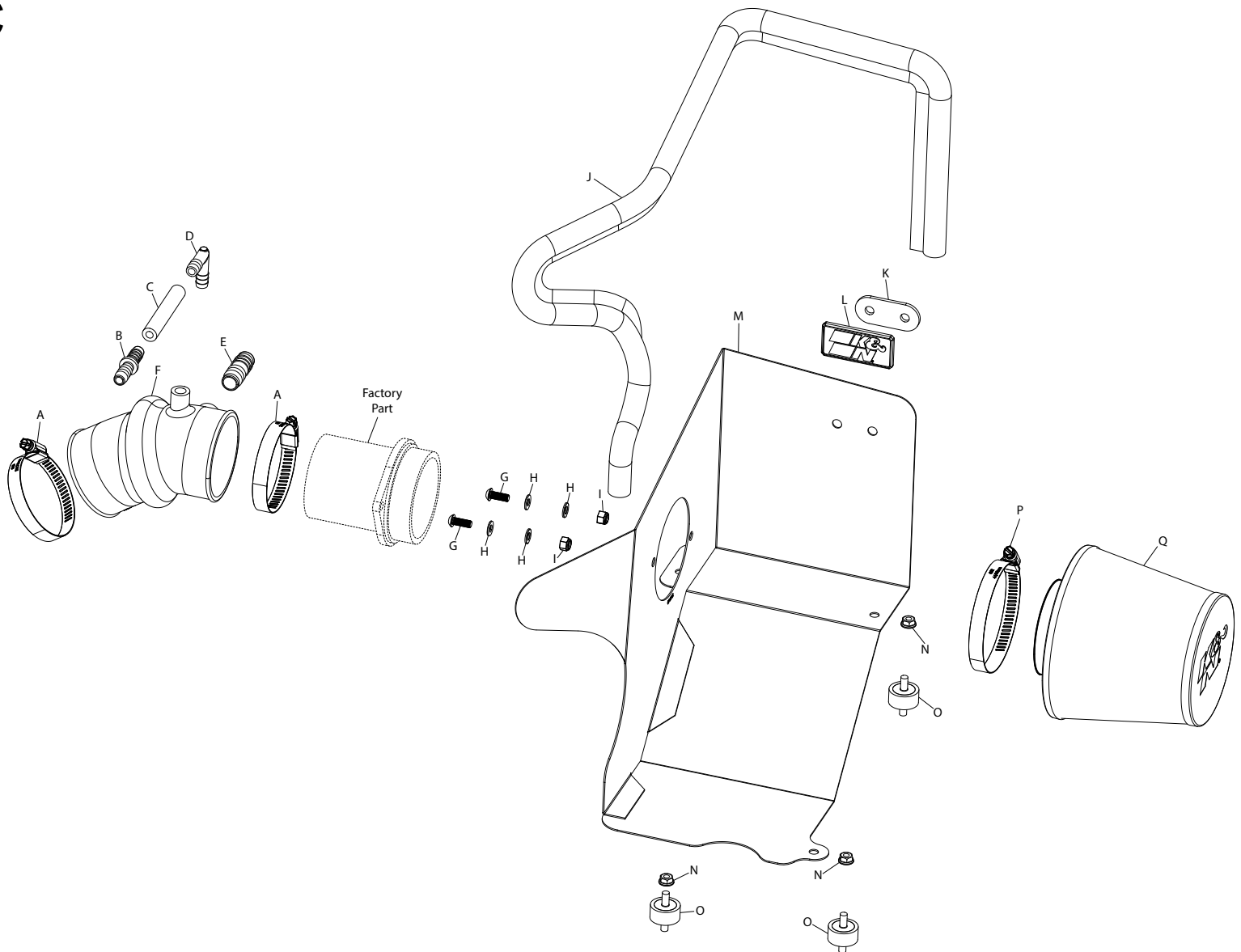


## INSTALLATION INSTRUCTIONS

**69-5327TC**  
**HYUNDAI**  
**2021 Elantra**  
**L4-2.0L**

**TOOLS NEEDED:**

- Ratchet
- Extension
- 10mm socket
- Pliers
- Phillip screw driver
- Flat blade screw driver
- 4mm allen key
- 10mm wrench



**PARTS LIST:**

Description	Qty.	Part #	Description	Qty.	Part #	Description	Qty.	Part #
A HOSE CLAMP; #44	2	08577	G BOLT; M6 X 1 X 16MM	2	07730	M HEAT SHIELD	1	074546
B VENT; STRT, 3/8" HOSE	1	08041	H WASHER; 6MM FLAT	4	08269	N NUT; M6 HEX	3	444.460.04
C HOSE; 3/8"ID X 3"L	1	08462	I NUT; 6MM NYLOCK	2	07512	O STUD; M6-1.00 M/M RUBBER	3	07027
D VENT; 90DEG, 3/8 X 3/8	1	08121	J EDGE TRIM; 42"L	1	102499	P HOSE CLAMP; #48	1	08601
E FITTING; VENT STRT 5/8"OD	1	08048	K LOCKNG PLATE	1	010151	Q AIR FILTER	1	RU-4450
F INTAKE BOOT	1	084120	L BADGE; K&N LOGO	1	088096			

**If you need any assistance please call 1-800-858-3333 to speak with a representative in our Customer Service Center before returning the product.**

**NOTE: FAILURE TO FOLLOW INSTALLATION INSTRUCTIONS AND NOT USING THE PROVIDED HARDWARE MAY DAMAGE THE INTAKE TUBE, THROTTLE BODY AND ENGINE.**

**TO START:**

1. Turn off the ignition and disconnect the negative battery cable.  
**NOTE: Disconnecting the negative battery cable erases pre-programmed electronic memories. Write down all memory settings before disconnecting the negative battery cable. Some radios will require an anti-theft code to be entered after the battery is reconnected. The anti-theft code is typically supplied with your owner's manual. In the event your vehicles anti-theft code cannot be recovered, contact an authorized dealership to obtain your vehicles anti-theft code.**



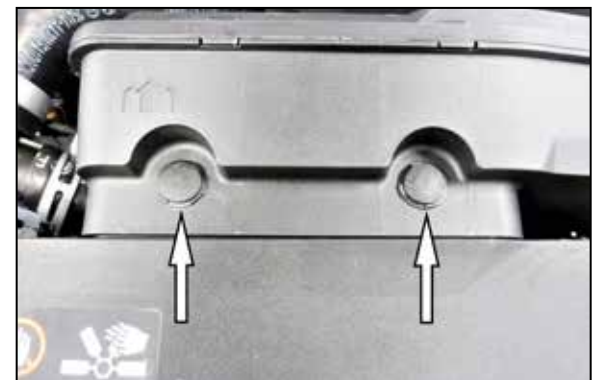
2. Disconnect the mass air sensor electrical connection.



3. Release the two spring clamps that secure the vent hoses and then disconnect the vent hoses from the intake system.



4. Loosen the hose clamp that secures the factory intake tube to the throttle body.



5. Pop up the centers of the fresh air duct retaining pins and then remove the pins from the vehicle.



6. Remove the lower air filter housing retaining bolt.



7. Remove the two rear air filter housing mounting bolts and then remove the complete intake assembly.



8. Remove the two bolts that secure the mass air sensor to the upper air filter housing and then remove the sensor from the housing.



9. Install the three rubber mounted studs in the places shown.



10. Install the edge trim around the heat shield as shown trimming off excess. Install the K&N badge into the heat shield and secure with provided locking plate on the back side.



11. Install the heat shield assembly onto the rubber mounted studs and secure with the provided hardware.



12. Assemble the K&N intake hose assembly and vents as shown.



13. Install the factory mass air sensor into the K&N hose as shown but don't tighten the clamp.



14. Install the hose/maf housing assembly onto the throttle body and into the heat shield. Adjust the maf housing so the holes line up and secure with the provided hardware. Adjust the hose for best fit and then secure with the provided hose clamps.



15. Reconnect the vent lines and secure with the factory spring clamps. Reconnect the mass air sensor electrical connection.



16. Install the K&N air filter onto the mass air sensor and secure with the provided hose clamp.



17. Reconnect the vehicle's negative battery cable. Double check to make sure everything is tight and properly positioned before starting the vehicle.

18. It will be necessary for all K&N® high flow intake systems to be checked periodically for realignment, clearance and tightening of all connections. Failure to follow the above instructions or proper maintenance may void warranty.

#### ROAD TESTING:

1. Start the engine with the transmission in neutral or park, and the parking brake engaged. Listen for air leaks or odd noises. For air leaks secure hoses and connections. For odd noises, find cause and repair before proceeding. This kit will function identically to the factory system except for being louder and much more responsive.

2. Test drive the vehicle. Listen for odd noises or rattles and fix as necessary.

3. If road test is fine, you can now enjoy the added power and performance from your kit.

4. K&N Engineering, Inc., requires cleaning the intake system's air filter element every 100,000 miles. When used in dusty or off-road environments, our filters will require cleaning more often. We recommend that you visually inspect your filter once every 25,000 miles to determine if the screen is still visible. When the screen is no longer visible some place on the filter element, it is time to clean it. To clean and re-oil, purchase our filter Recharger® service kit, part number 99-5050 or 99-5000 and follow the easy instructions.

**NOT LEGAL FOR SALE OR USE ON ANY POLLUTION CONTROLLED MOTOR VEHICLE IN CALIFORNIA OR STATES ADOPTING CALIFORNIA EMISSION PROCEDURES.**

See [knfilters.com](http://knfilters.com) for CARB status on each part for a specific vehicle